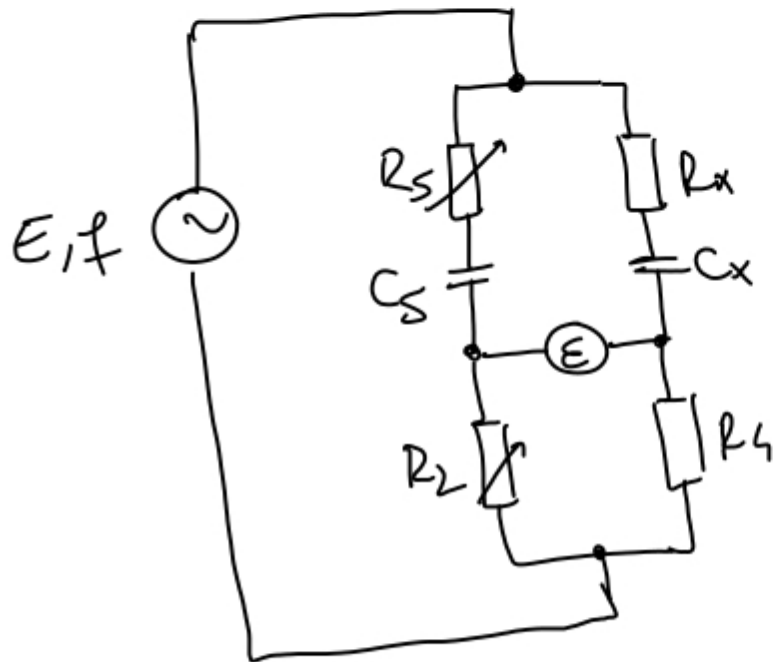


Temă Boxus I (facultativă)

Puntea de Sauty (det. C_x, R_x, D)

a)



$$C_x = ?$$

$$R_x = ?$$

$$D = ?$$

b) $\xi = 0$ atunci când

$$C_s = 0.1 \mu\text{F}$$

$$R_4 = 1 \text{ k}\Omega$$

$$R_2 = 10.25 \text{ k}\Omega$$

$$R_5 = 2.25 \text{ k}\Omega$$

$$C_x = ?$$

$$R_x = ?$$

$$D \quad (f = 10 \text{ kHz})$$